

F

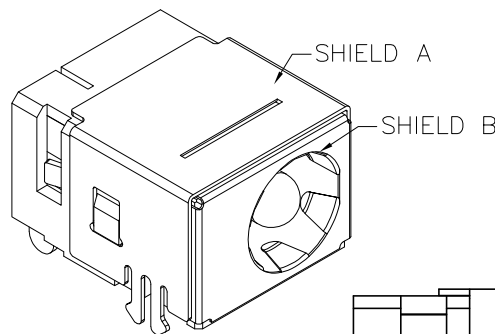
E

D

C

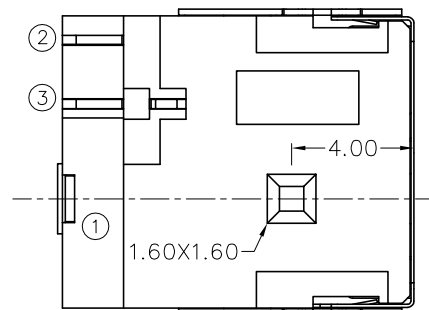
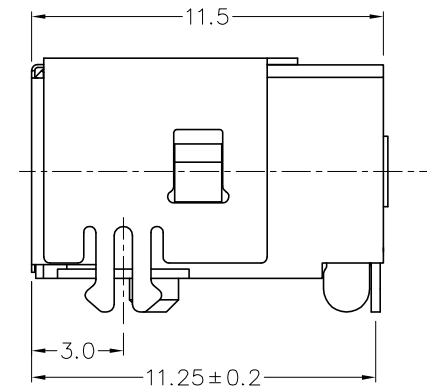
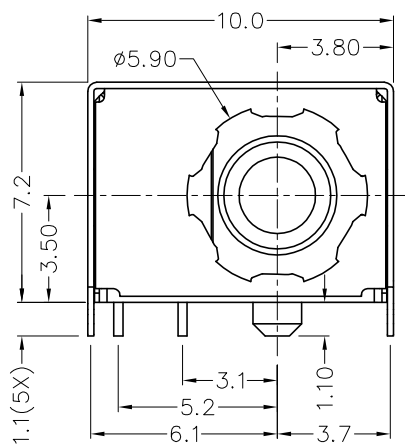
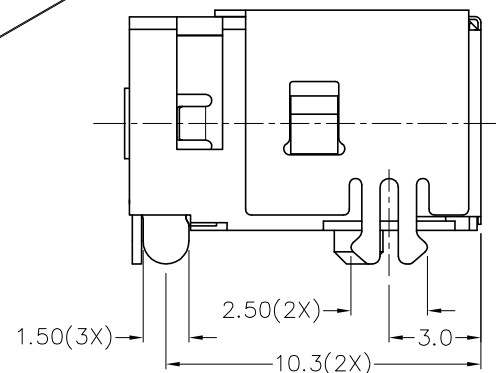
B

A



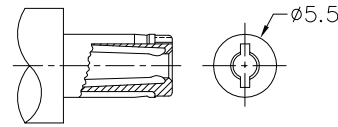
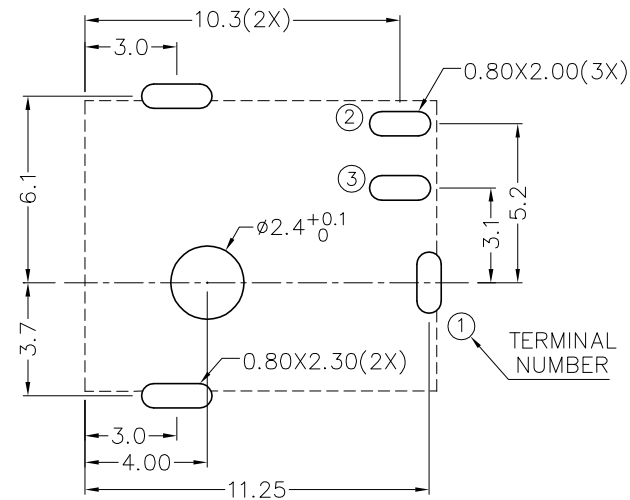
RoHS
Compliant

ZONE	SYMBOL	REVISION	APPROVAL	DATE



* MATERIAL
 CENTRE PIN : COPPER
 TERMINAL 1 : BRASS
 TERMINAL 2 : COPPER ALLOY
 TERMINAL 3 : BRASS
 SHIELD-A : BRASS
 SHIELD-B : STAINLESS STEEL
 HOUSING : PA6T

MODEL NO.	TDC-086HS-2
SCHEMATIC	1, 2, 3
CENTER PIN	ø1.65mm
	ø2mm
	ø2.5mm



DC MATE PLUG

PCB LAYOUT
(TOP VIEW)

CHAMPWAY 冠泰電子有限公司
 CHAMPWAY ELECTRONICS CO., LTD.

DESIGN	H.L.TAN	DATE	29-4-2010	SCALE	4:1
DRAWING	H.L.TAN	DATE	29-4-2010	MATERIAL	*
CHECK		DATE		DWG. NO.	TZ\DC086HS-2-PA6T/A
APPROVAL		DATE		SHEET	

PART NAME	HIGH CURRENT DC POWER SOCKET	TOLERANCE UNLESS	0.0±0.2	UNIT:	
PART NO.	TDC-086HS-2	OTHERWISE SPECIFIED:	0.00±0.1 0.000±0.05	mm	

F

E

D

C

B

A